

Mobile Field Hospital

20
22



INTERIOR

EXTERIOR

SPECIFICATIONS



OK Unit



OK Unit

WWW.ROADSHOW-TRAILERS.EU



PP Unit



PP Unit



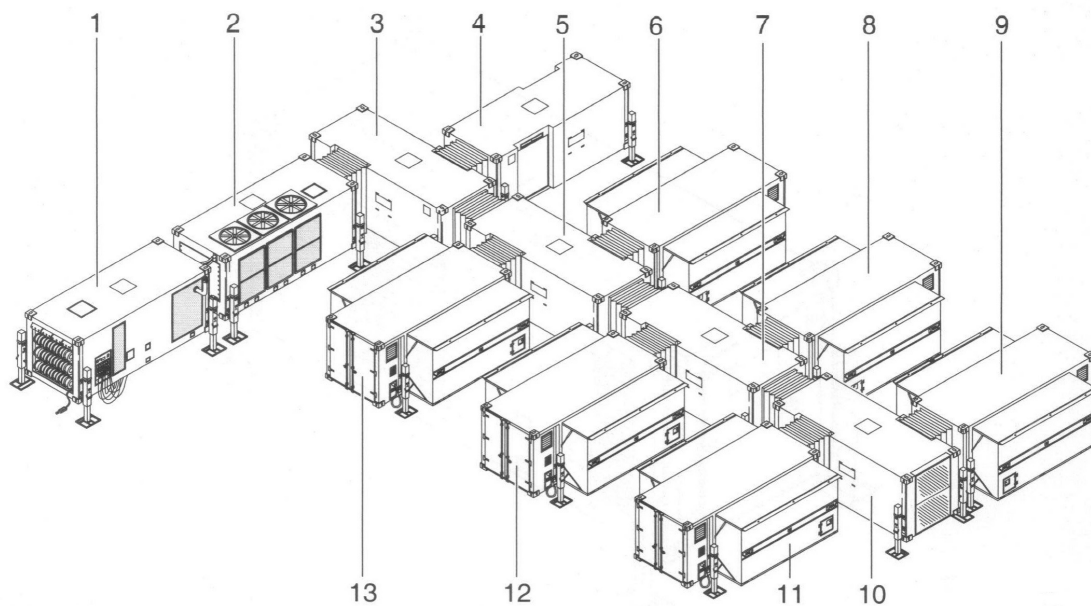
RO Unit



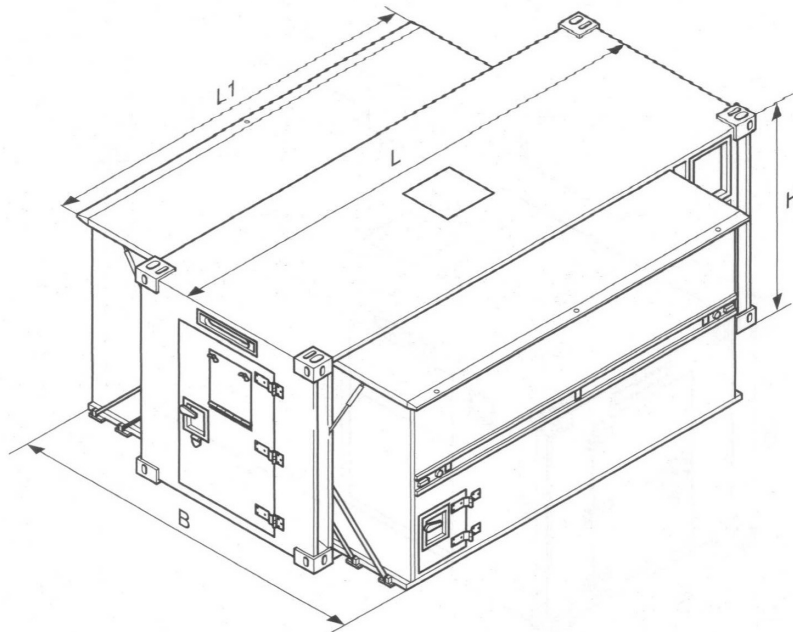
AI Unit



EN Unit

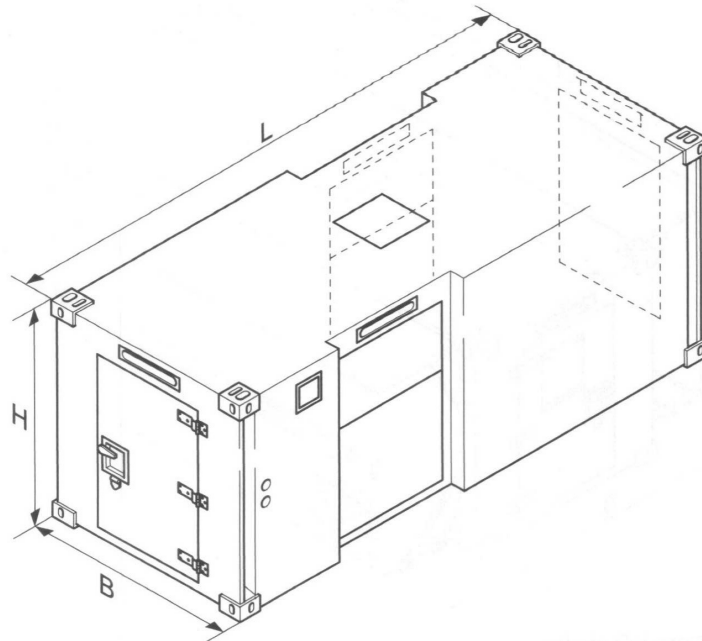


- | | |
|----|----|
| 1 | EN |
| 2 | AI |
| 3 | KO |
| 4 | MA |
| 5 | KO |
| 6 | PP |
| 7 | KO |
| 8 | RO |
| 9 | PP |
| 10 | KO |
| 11 | PP |
| 12 | OK |
| 13 | OK |



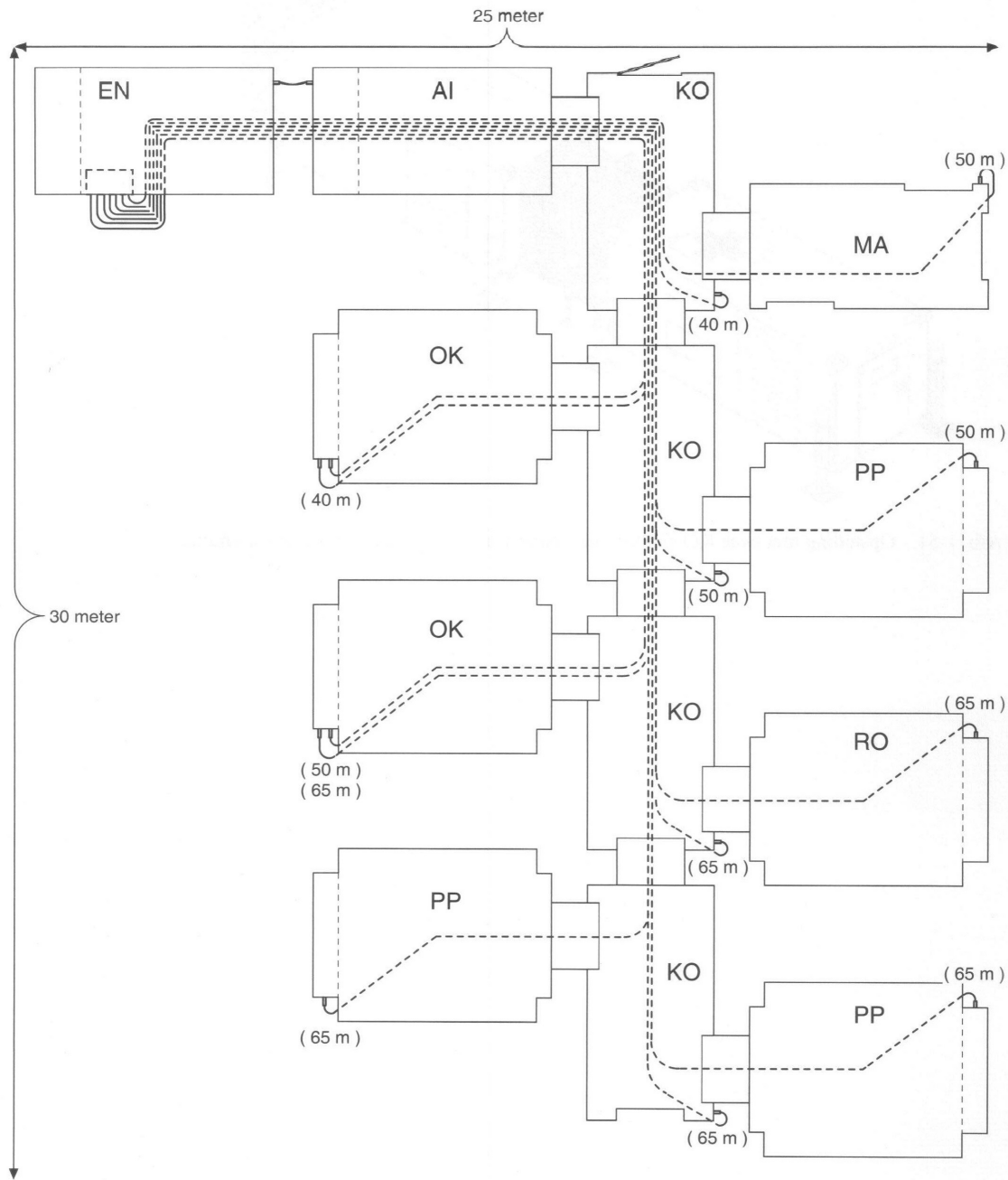
OK/PP/RO

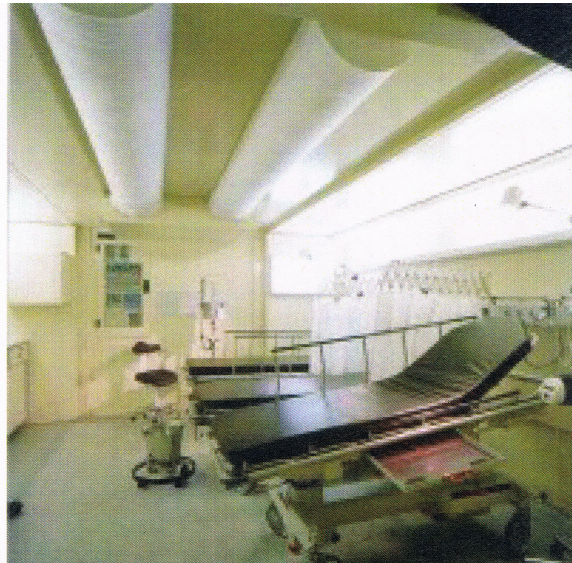
	OK	PP	RO
Length (L) Outside	6055 mm	6055 mm	6055 mm
Length (L) Inside	5925 mm	5925 mm	5925 mm
Length (L1) Inside	4450 mm	4450 mm	4450 mm
Width (B) Outside	4377 mm	4377 mm	4377 mm
Width (B) Inside	4275 mm	4275 mm	4275 mm
Height (H) Outside	2435 mm	2435 mm	2435 mm
Height (H) Inside	2300 mm	2300 mm	2300 mm
Weight Loaded (approx)	5740 kg	5100 kg	6165 kg



EN/AI/KO/MA

	KO	MA	AI	EN
Length (L) Outside	6055 mm	6055 mm	6055 mm	6055 mm
Length (L) Inside	5925 mm	5925 mm	5925 mm	5925 mm
Width (B) Outside	2435 mm	2435 mm	2435 mm	2435 mm
Width (B) Inside	2300 mm	2300 mm	2300 mm	2300 mm
Height (H) Outside	2435 mm	2435 mm	2435 mm	2435 mm
Height (H) Inside	2300 mm	2300 mm	2300 mm	2300 mm
Weight Loaded (approx)	4290 kg	3620 kg	6900 kg	8240 kg





DETAILS

COMPLETE SELF SUPPORTING MOBILE FIELD HOSPITAL

2X 96 KVA GENERATORS
2X OPERATION ROOMS
3X IC ROOMS TOTAL 12 BEDS
1X XRAY ROOM
1X MATERIAL ROOM
1X OXYGEN/AIRCO ROOM

12 SURGERIES IN 24HR POSSIBLE IN WAR
8 SURGERIES POSSIBLE IN 24 HR IN CRISIS SITUATION
(ACCORDING TO THE INTERNATIONAL STANDARDS)

SETUP POSSIBLE IN 8 HOURS

COOLING, HEATING, FILTERING AND AIR HUMIDIFY
COLD AND WARM RUNNING WATER

INTEGRATED SYSTEM TO TRANSPORT MEDICAL GASSES,
LIKE OXYGEN, NITROUS OXIDE AND COMPRESSED AIR
EMPTY INSIDE

EMERGENCY GENERATOR AND EMERGENCY BATTERIES

SEVERAL 800 LITER WATER TANKS
CONTACT US FOR MORE INFORMATION

CAN BE TRANSPORTED BY PLANE, SHIP, TRUCK OR TRAIN,
ALL CERTIFICATIONS AVAILABLE ACCORDING TO INTERNATIONAL
STANDARDS

CERTIFICATIONS

WORK CONDITIONS
STANAG 2895 A1/A2/A3 B1/B2 C0/C1
WORKING TEMPERATURES +49 DEGREES TILL -32 DEGREES

WORKING ENVIRONMENT
ACCORDING TO THE DUTCH ARBO REGULATIONS

STEK INSPECTION OF COOLING MACHINES
USED COOLING MATERIAL R134A

FIRE EXTUINGUISERS
ACCORDING TO EU LAW

COMPRESSED AIR/OXYGENE/NITROUS OXIDE
ACCORDING TO EU LAW

CSC (CONVENTION FOR SAFE CONTAINERS)

ELECTRICAL INSTALLATION
NEN-3140

ROADSHOWTRAILERS

Laan van Schondeln 8

6045 CZ Roermond

The Netherlands

+31 6 126 556 11

info@roadshow-trailers.eu

www.roadshow-trailers.eu

ALWAYS THE RIGHT MOBILE UNIT